

Installation Guide A-TRAX IP

Abstract

This document describes the installation and configuration of the A-TRAX IP transceiver.

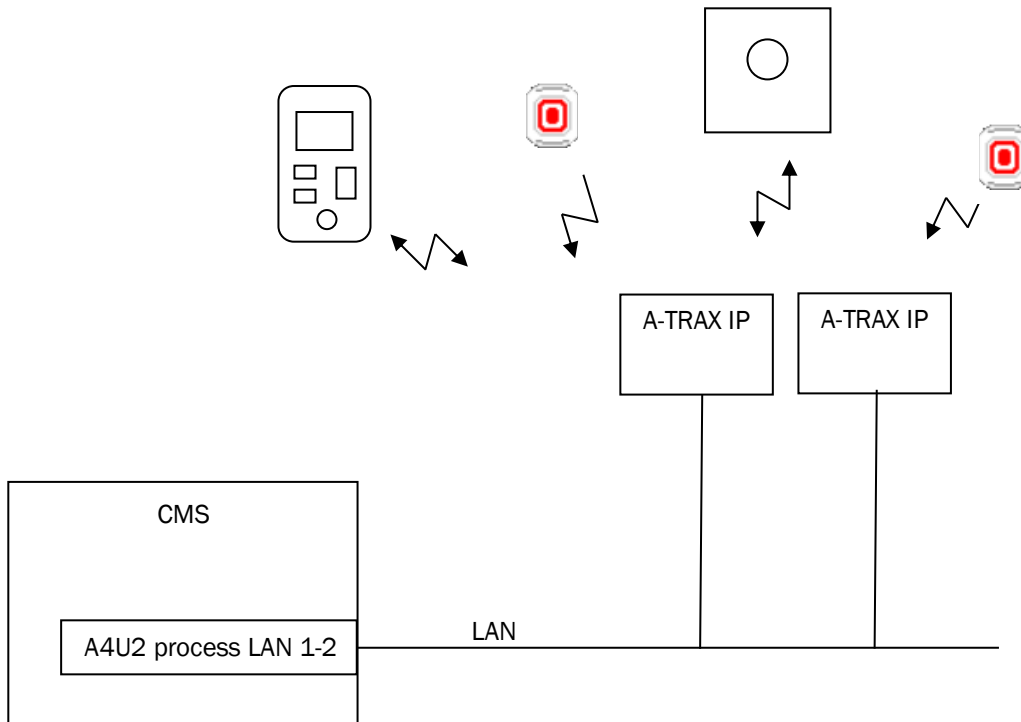
Contents

INSTALLATION GUIDE A-TRAX IP.....	1
ABSTRACT	1
1 INSTALLATION	3
2 DC CONNECTOR	3
3 LED.....	3
4 RESET BUTTON.....	4
5 A4U2/CMS SETTINGS	4
6 CONFIGURATION	6
7 FIRMWARE VERSIONS.....	8
8 TECHNICAL DATA.....	9
9 REGULATORY NOTICES.....	9
10 ABBREVIATIONS.....	9
11 DOCUMENT HISTORY.....	9

INTRODUCTION

The A-TRAX IP is a transceiver for the A4U2 system. It connects to the CMS A4U2 process over the LAN network.

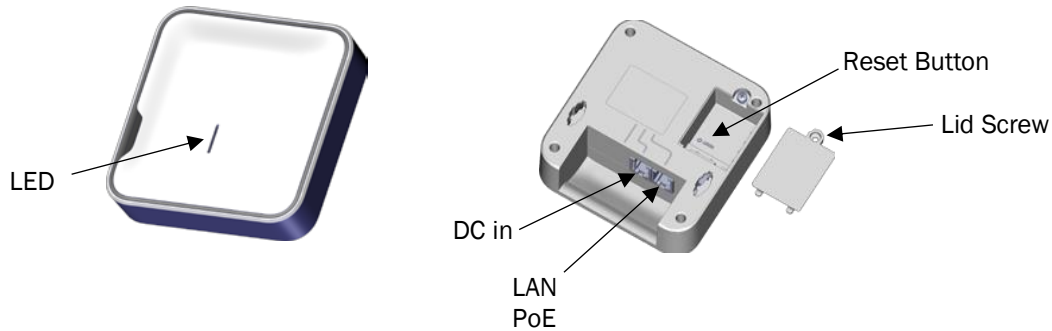
The A-TRAX IP transceivers enables the CMS to receive/transmit messages from/to an A4U2 unit.



1 Installation

The A-TRAX IP are connected on the LAN network using an ethernet interface.

It can be powered with PoE directly from the switch or from an external power supply (only use AC adapter supplied by COBS).



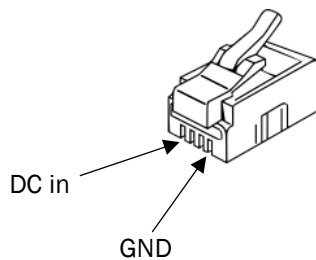
Mount the A-TRAX IP on the wall using screws in the keyholes on the bottom side.

The distance between the screws must be 90mm.

The A-TRAX IP can be mounted so the cables can go upwards to the ceiling or downwards.

2 DC connector

The DC connection is a RJ11 connector.



3 LED

The front side LED indicates the status if the A-TRAX IP.

Off No power.

Flashing: No connection to CMS or network problem (ex: no IP address).

Constant lit Normal operation, has established contact with the CMS.

4 Reset Button

NOTE! It is important to follow the instructions below, A-TRAX IP can be damaged if done incorrectly.

For A-TRAX IP firmware version before 2.1.

The reset button has the following functionality depending on how long time the button is pressed. The A-TRAX IP should be on when reset button is pressed.

0-10s	Normal reboot.
10-20s	Reset network parameters to default.
20-30s	Reset all parameters to factory default.

For A-TRAX IP firmware version from 2.1.

Normal reset

A-TRAX IP should be on. Press reset button between 0-10.

Reset network parameters to default

NOTE! If pressing for longer than 20s may damage the A-TRAX IP.

A-TRAX IP should be on, Press the reset button between 10-20s

Reset to factory default.

NOTE! If pressing for longer than 35s may damage the A-TRAX IP.

1. Power off the A-TRAX IP by disconnect the power source.
2. Press and hold the rest button.
3. Power on the A-TRAX IP by connecting it to the power source.
4. Stop pressing the reset button between 15s-35s the LED in the front should blinking fast 100ms.

5 A4U2/CMS Settings

In the A-TRAX IP the following parameters must be set when using the A-TRAX IP with the CMS:

Network Settings

Use DHCP:	Defines the address type of the A-TRAX IP.	Default: Static
Static IP address:	The IP address if DHCP is not used.	Default: 192.168.0.1
Gateway:	Default gateway.	Default: 0.0.0.0
DNS:	DNS server if DNS names are used.	Default: 0.0.0.0

NIP Settings

Server IP:	The address of the CMS.	Default: cms ¹
Server Port:	The port number the A4U2 process listens to.	Default: 5001
Server ID:	Must be the same as the A4U2 process System ID	Default: 1
Device ID (HEX):	The A-TRAX address configured in the A4U2 process.	Default: ²

¹ This must be changed to the IP address of the CMS.

² This must be changed to a unique A-TRAX address, this is the address that identifies the A-TRAX in the CMS.


All other parameter settings are configured from the CMS.

See T100239E “Installation Guide CMS A4U2” for more information on the A4U2 system and configuration of the CMS.

6 Configuration

The A-TRAX IP is configured using a web browser. Default IP address is 192.168.0.1.

The A-TRAX IP also supports NetBIOS, then the name is “dipxxxx” where xxxx is the unit’s serial number (found on the label on the unit).



A-TRAX IP Configuration

Status

Connected to NIP server	No
Connected to SCAIP server	No
Connected to debug server	No
IP address	192.168.0.1
MAC address	0022175BA83A
Gateway	0.0.0.0
Netmask	255.255.255.0
DNS	0.0.0.0
Application version	4.02 - revision 26585 - Cobs
Bootloader version	2.01
Hardware revision	03 (N-3)
Device serial	6006842

Network Settings

Use DHCP	<input type="radio"/> Yes <input checked="" type="radio"/> No
Static IP address	<input style="width: 100%;" type="text" value="192.168.0.1"/>
Netmask	<input style="width: 100%;" type="text" value="255.255.255.0"/>
Gateway	<input style="width: 100%;" type="text" value="0.0.0.0"/>
DNS	<input style="width: 100%;" type="text" value="0.0.0.0"/>
MAC address	<input style="width: 100%;" type="text" value="0022175BA83A"/>
Access code (Max 7 chars)	<input style="width: 100%;" type="text"/>
Use HTTPS	<input type="radio"/> Yes <input checked="" type="radio"/> No
<input type="button" value="Update Settings"/>	

NIP Settings

Server IP / Hostname	<input style="width: 100%;" type="text" value="192.168.0.2"/>
Server port	<input style="width: 100%;" type="text" value="5001"/>
Server ID (1 - 65534)	<input style="width: 100%;" type="text" value="1"/>
Device ID (0001 - FFFE)	<input style="width: 100%;" type="text" value="0001"/>
Use NIPS	<input type="radio"/> Yes <input checked="" type="radio"/> No
Enable debug prints	<input type="radio"/> Yes <input checked="" type="radio"/> No
Debug server IP	<input style="width: 100%;" type="text" value="0.0.0.0"/>
Debug server port	<input style="width: 100%;" type="text" value="0"/>
<input type="button" value="Update Settings"/>	

SCAIP Settings

Server IP / Hostname	<input type="text"/>
Server port	<input type="text" value="5060"/>
Local port	<input type="text" value="5060"/>
Protocol	<input checked="" type="radio"/> UDP <input type="radio"/> TCP <input type="radio"/> TLS <input type="radio"/> TLS+SIPS
Username	<input type="text"/>
Number	<input type="text"/>
Password	<input type="text"/>
Renew interval	<input type="text" value="300"/>
Register type	Normal Register <input type="button" value="v"/>
Send to	<input type="text"/>
<input type="button" value="Update Settings"/>	

Radio Settings

Radio ACK settings	ACK Members <input type="button" value="v"/>
Radio members	0 members. Download config to view / update.
Alarm reception	Low channel (.2125) <input type="button" value="v"/>
Alarm transmission	High channel (.4125) <input type="button" value="v"/>
<input type="button" value="Update Settings"/>	

Software Settings

Download current config	Download Config
Factory reset	<input type="button" value="Factory Reset"/>
Reboot device	<input type="button" value="Reboot"/>
Upload application software	<input type="button" value="Choose File"/> No file chosen <input type="button" value="Upload"/>
Upload config	<input type="button" value="Choose File"/> No file chosen <input type="button" value="Upload"/>

Radio Test

Send NRTP radio message	<input type="text" value="08F1A83AFFFF0212FF"/> <input type="button" value="v"/>
On frequency	869.2125 MHz <input type="button" value="v"/>
Short count	<input type="text" value="0"/>
Long count	<input type="text" value="0"/>
Send count (2 sec between)	<input type="text" value="1"/>
<input type="button" value="Send"/>	

Status

Displays information of the unit

Network Settings

Use DHCP:	Use of DHCP or static IP address.
Static IP address:	IP address (if static IP address is used).
Netmask:	Netmask (if static IP address is used).
Gateway:	Netmask (if static IP address is used).
DNS:	Address to DNS server.
MAC Address:	A-TRAX IP MAC address, read only.
Access code (Max 7 chars):	This is the login password the web configuration access. If left empty no login required.
Use HTTPS	Default No. Do not change, CMS do not support HTTPS.

NIP Settings

Server IP or hostname:	The IP address of the CMS.
Server Port:	Must match the Server Port in the CMS.
Server ID:	Must match the System Id in the CMS
Device ID:	This is A-TRAX address in the CMS – note this is HEX-format.
Use NIPS:	Not used in with CMS. Default set to NO. Do not change.
Enable Debug Prints:	This parameter is set from the CMS. Do not change here.
Debug Server IP:	This parameter is set from the CMS. Do not change here.
Debug Server Port:	This parameter is set from the CMS. Do not change here.

SCAIP Settings

Leave the SCAIP settings as default – we don't use them.

Radio Settings

Radio ACK Settings:	This parameter is set from the CMS. Do not change here.
Radio ACK Members:	This parameter is set from the CMS. Do not change here.
Alarm reception	This parameter is set from the CMS. Do not change here.
Alarm transmission	This parameter is set from the CMS. Do not change here.

Software Settings

Download current config:	Download configuration to a local file.
Factory Reset:	Reset settings to factory default.
Reboot Device:	Restart A-TRAX IP.
Upload application software:	Update application software form a local file.
Upload config:	Upload configuration from a local file.

Radio Test

Send a radio message in raw data format on the A-TRAX IP.

7 Firmware versions

Depending on hardware there are some limitations on what firmware that can be installed. If A-TRAX IP is running on version V3.X the highest version that can be installed is V3.7. Version V4.X can not be installed on a V3.X.

8 Technical data

Ethernet:	10/100 Mbit/s
PoE:	Class 2 (3,84 - 6,49W) Mode A & B
Power supply:	7,5V DC 0,45A
Power consumption:	Max 5W
Measures (W x H x D):	110 x 113 x 32 mm
Weight:	120g
Temp. range:	+5 -+55 °C
RF frequency:	869,2 MHz Category 1 (Social alarms) 869,4 MHz
Bandwidth:	25 kHz

9 Regulatory Notices

A-TRAX IP, is in conformity with the directives/specifications:

2014/30/EU (EMC)
2014/53/EU (R&TTE)
2014/35/EU (LVD)
2011/65/EU (RoHS2)

Safety	EN 60950-1:2006+A1+A2+A11+A12:2011
EMC	EN 301 489-1 v1.9.2, EN 301 489-3 v1.6.1
Radio	EN 300-220-1 v2.4.1, EN 300 220-2 v2.4.1

10 Abbreviations

In this document the following abbreviations are used.

CMS	COBS Message Server
PoE	Power over Ethernet

11 Document History

151218	RA	First edition
190125	RB	Second Edition
190320	RC	Change reset button behavior.
210426		Updated Images, added new settings, firmware info.