

1020600787

VMP-36-PEL-Ad

Headset with boom mic, headband, and 10m cable for VMP Station



Base product: **VMP-36-PEL-A**

Includes: **3005020067** - Modification cable kit with diode for VMP-stations - See the **Documents** tag for the modification description

- Headset for direct connection to a VMP station
- Switchbox w/ M-button and belt clip
- Excellent noise performance
- High attenuating ear shells
- Standard with 10 meter cable

DESCRIPTION

The VMP-36-PEL-A headset brings hearing protection and communication in noisy environments into a new level of performance with newly designed speakers and microphone.

The dual cup give a modern and slim look and is specially designed to provide excellent noise attenuation.

Applications:

The VMP-36-PEL-A headset can enhance communication in noisy environments and other workplaces, where the workers need to be connected to their 2-way handheld or fixed systems throughout the day to help facilitate frequent contacts with co-workers.

Functionality (together with VMP station):

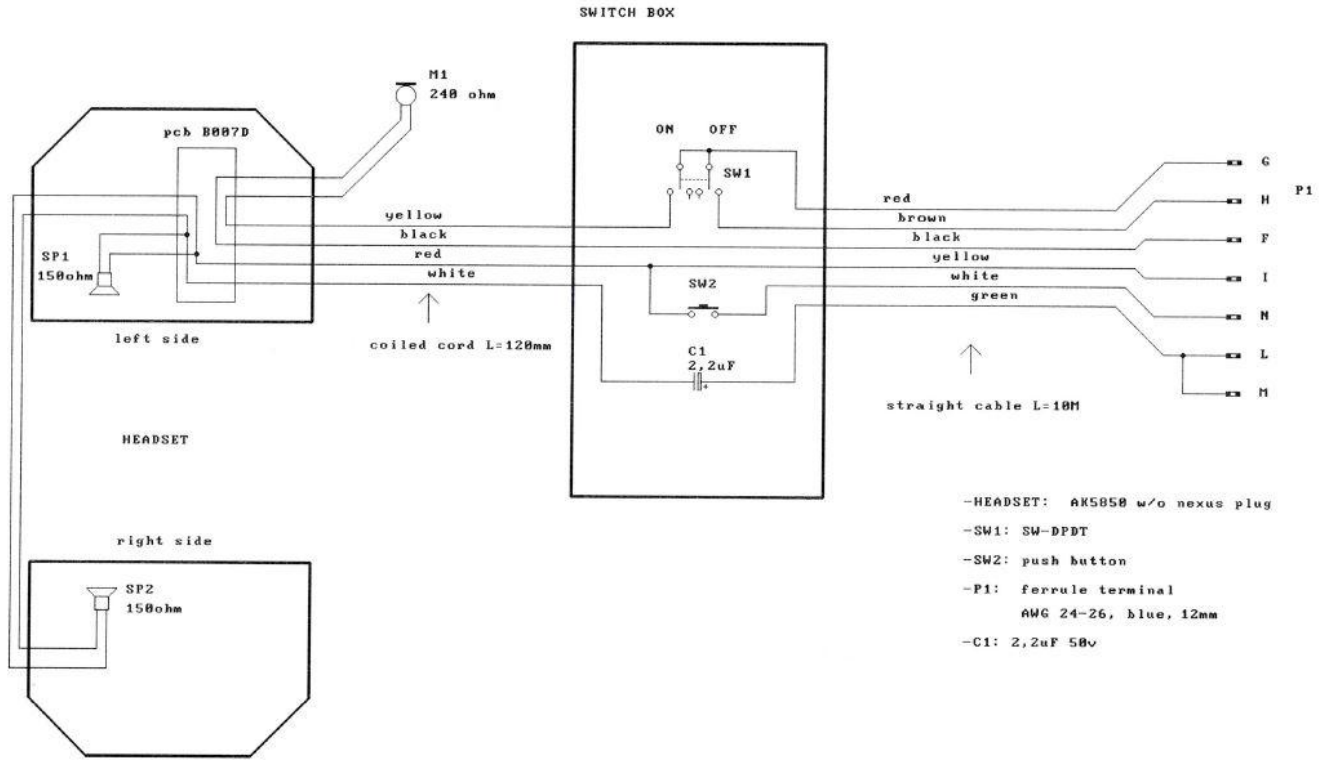
In the headset **OFF** position, the station's loudspeaker and microphone are working as normal. The incoming audio is also heard in the headset, but the headset microphone is not enabled. (P.S: if standing near the station, the station microphone picks up the user's voice. This is easily mistaken to be coming from the headset)

In the headset **ON** position, the station's loudspeaker still works, but the integrated microphone is muted and the headset microphone is enabled. (P.S: In the process of switching to **ON** position, the dial tone is not triggered automatically - that aspect of the station works as normal. The dial tone appears only after starting to type the extension number.)

Use the headset PTT button (M-button) to talk from the headset when in a conversation. This will automatically activate simplex mode. Return to duplex mode by briefly reactivating the PTT button.

Switch back to **OFF** position and terminate the call by pressing the "C" key on the station

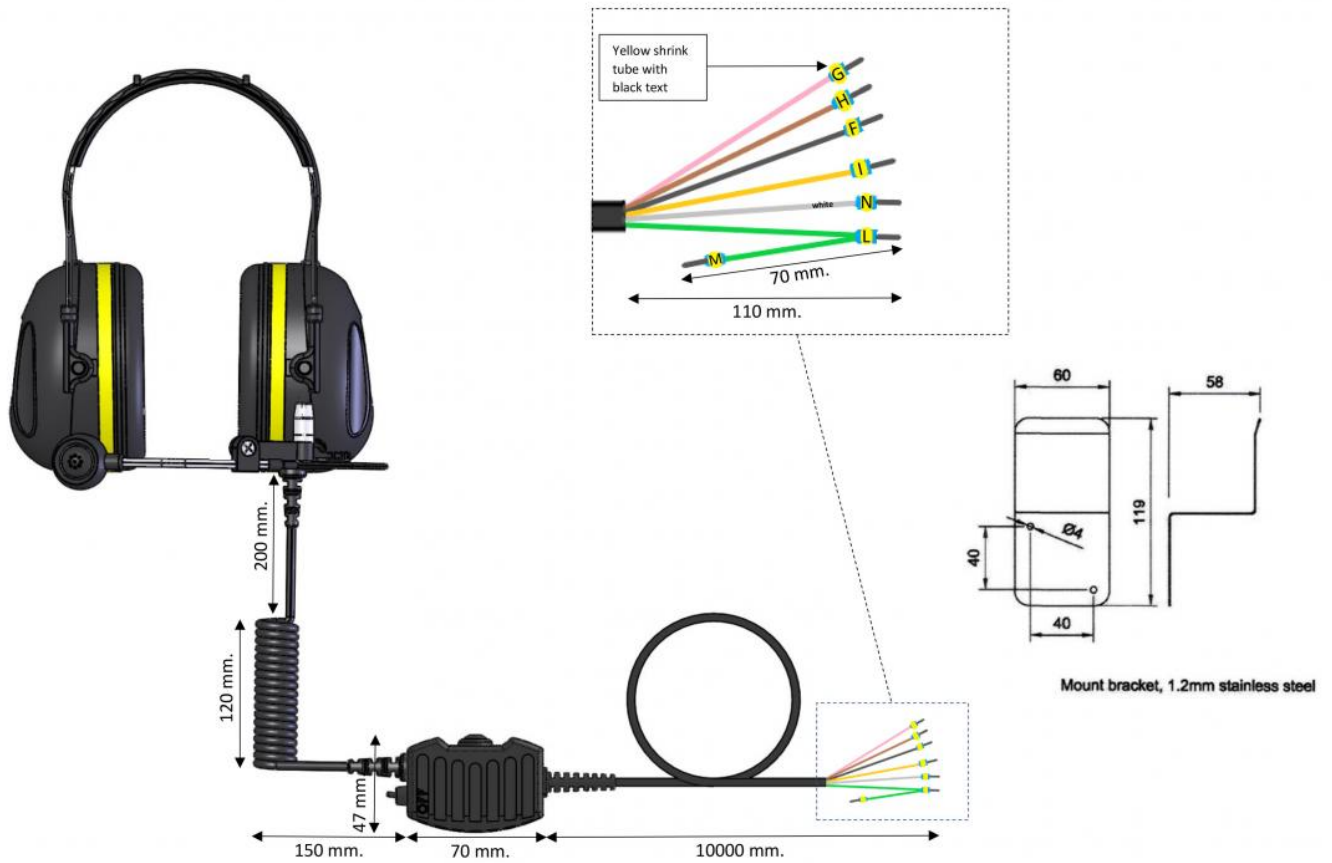
SPECIFICATIONS



GENERAL

Termination	Flying leads/ferrules, prepared for screw terminals
Microphone	20,5 mm. dynamic noise cancelling, 240 Ohm+ 30 %, sensitivity -57 dB+3 dB, 0 dB=1v/pa at 1kHz, frequency response: 50Hz-6KHz.
Earphone/Speakers	27 mm. diameter, 150 Ohm+15 %, Parallell connection, frequency response: 50Hz-10KHz.
Temperature	-40 to +60 degrees C
Storage Humidity	< 90%
Protection	IP-54 (When worn)
Attenuation rating (HML)	H=32 dB / M=28 dB / L=20
Attenuation rating (SNR)	30 dB
CE Certificate no.	12151RHS01
Dimension (HxD)	Approximately 250 x 150 mm. (adjustable).
Weight	0.4 kg
Colour	Black/Yellow
Manufacturer	Zenitel (A-kabel)
Cable	10m

TECHNICAL DIMENSIONS

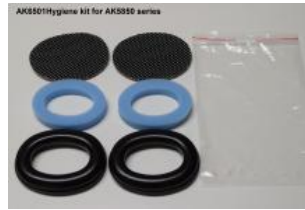


ACCESSORIES



SPARE BOOM MICROPHONE FOR HEADSET

Item number: AK6070



HYGIENE KIT FOR HEADSET

Item number: AK6501



HEADSET STOWAGE BRACKET

Item number: 3006090494



SPARE SWITCHBOX W/CABLE FOR VMP-36-PEL-AD

Item number: 3006600054



AK6070T THROAT MICROPHONE FOR ALL A-KABEL TYPE HEADSETS

Item number: 3006090490

USED WITH



1007080000

LIGHT INDUSTRIAL MASTER STATION



1007086000

INDUSTRIAL MASTER STATION

Heavy Duty

1020600305

VMP-530

Main Station Waterproof



1020600315

VMP-503

Main Station With Loudspeaker

